



Part number

CAP 06 L29



Brief description:

surface mounting housings with single lever, size "44.27", Pg29, metal version, IP66

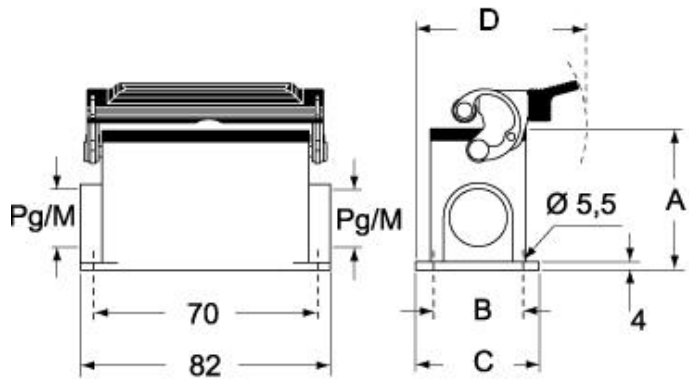
Product description		Approvals / Standards	
Version	metal version	Quality mark	 (type:4/4X/12),  , EAC
Series	surface mounting housings with single lever	Conformity	CQC, CE
Product type	with 1 lever	General ordering information	
Style	high construction	EAN13 code	8015747007412
Family	CLASS enclosures	Tariff number	85369095
Size	size "44.27"	Packaging Information	
Technical data		Packaging length	475,00 mm
Material	metal	Packaging height	210,00 mm
IP degree of protection	IP66 (and IP69K DIN 40050 - 9)	Packaging width	140,00 mm
Cable entry	Pg29	Packaging weight	2,63 kg
Further technical details		Packaging volume	13,97 dm ³
Weight	263,00 g	Packaging description	Carton box
		Packaging quantity	10 Pcs
		Packaging EAN code	8015747236096
		Sub-packaging weight	1,32 kg
		Sub-packaging description	Plastic packaging
		Sub-packaging quantity	5 Pcs
		Sub-packaging EAN barcode	8015747007429

Part number

CAP 06 L29

Catalogue drawings

CHP L CAP L - MHP L MAP L



CHP LS CAP LS - MHP LS MAP LS

